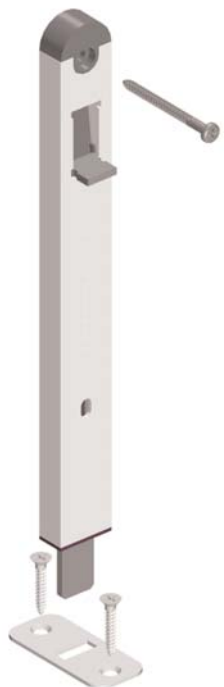




9" Magnum Bolt  
for Top or Bottom  
of 6'8" Doors



19" Magnum Bolt  
for Top of 8' or  
Taller Doors

Note: Custom lengths available.  
Contact Factory.

## HEAD and SILL MAGNUM BOLTS

Designed for use on French door applications to securely lock the inactive panel. The unique burried locking bolt improves the beauty of your product. For the highest strength, it is fabricated into the inactive door panel, not the astragal. It can also be located into the back of the astragal for standard load applications. Provides excellent resistance to structural wind loads and forced entry.

### High Performance

Tested in a French Door System to withstand over 5400 lbs. force (D.P. 90) under test-stand conditions.

### Material

Housing is mill finish extruded aluminum. Bolt is powder painted stamped steel. Precision molded end guide and detent spring mechanism is high strength thermal plastic. Keeper is stamped solid brass.

### Feature Options

A bolt set includes:

- (1) 2000 Series mill finish aluminum Magnum Bolt with (1) #8 x 2" Pan Head Sheet Metal Mounting Screw and (1) Brass Keeper with (2) #8 x 1" Flat Head Sheet Metal Screws.

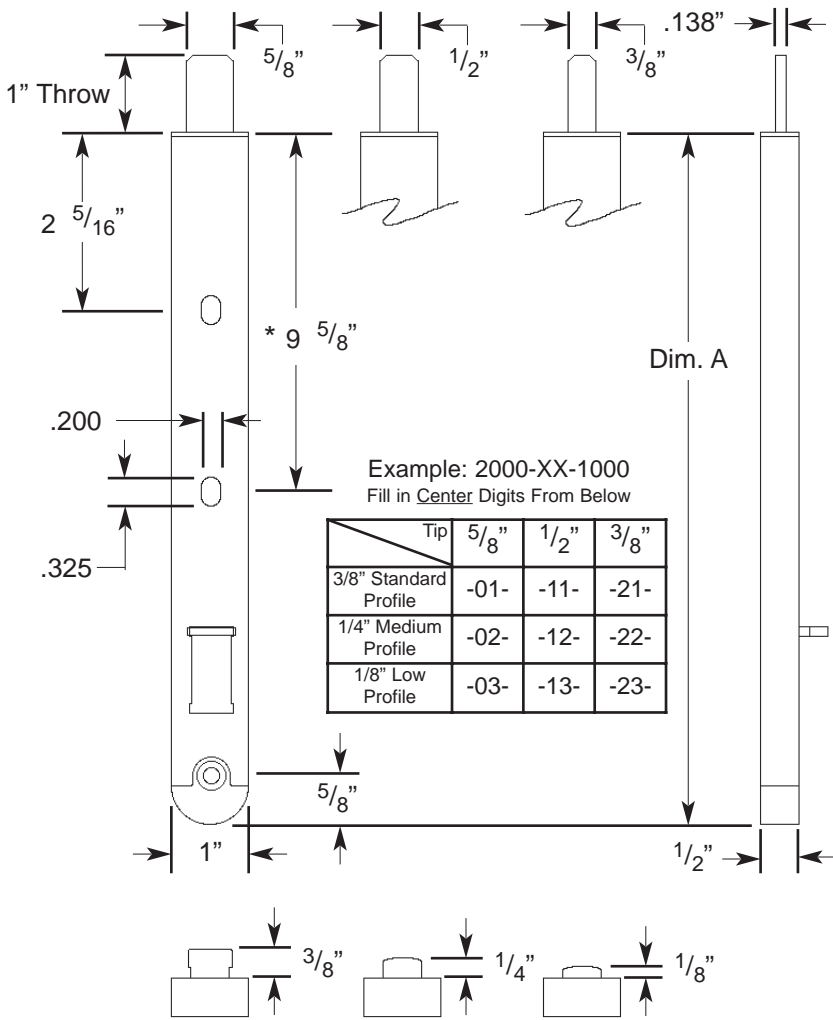
Consult the factory for alternate finishes.

### PART NUMBER/DESCRIPTION

Part No.	Description / Fasteners
<b>2000-XX-1000</b> <b>9" Bolt</b>	Top or Bottom Bolt for 6' 8" Doors. (1) #8 x 2" PHSMS (2) #8 x 1" FHSMS
<b>2000-XX-1010</b> <b>19.08" Bolt</b>	Top Bolt for 8' or Taller Doors. (1) #8 x 2" PHSMS (2) #8 x 1" FHSMS

See Reverse for Alternate Bolt Tip & Profile  
Designations to Fill in Center Digits.

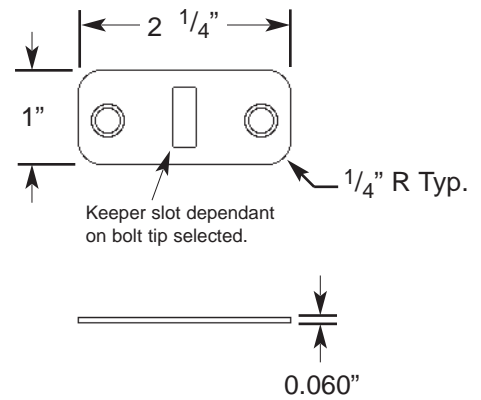
# 2000 SERIES MAGNUM BOLT SPECIFICATIONS



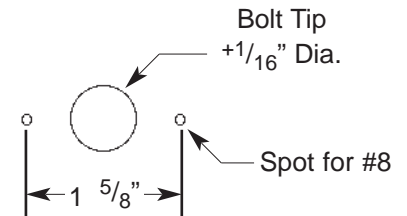
Example: 2000-XX-1000  
Fill in Center Digits From Below

Tip	5/8"	1/2"	3/8"
3/8" Standard Profile	-01-	-11-	-21-
1/4" Medium Profile	-02-	-12-	-22-
1/8" Low Profile	-03-	-13-	-23-

## MAGNUM BOLT KEEPER



## TYPICAL KEEPER FABRICATION

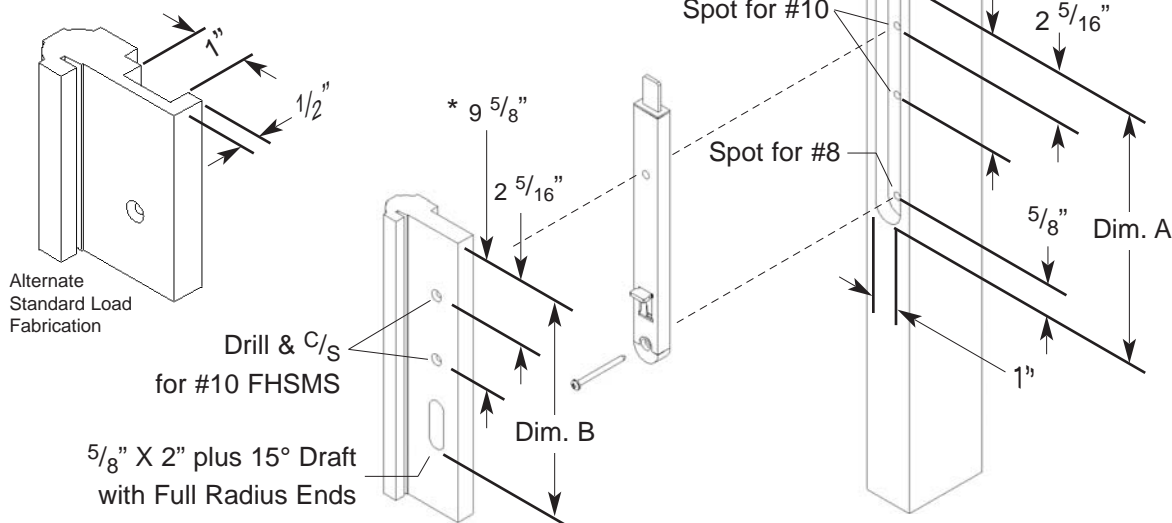


Note: The keepers can be surface applied or mortised in depending on the application.

## TYPICAL FABRICATION AND INSTALLATION

Contact W&F for Custom Layout on Your Product.

### TEMPLATE AVAILABLE



	Dim. A	Dim. B
2000-XX-1000	9.000"	8.000"
2000-XX-1010	19.080"	18.080"

\* Second hole required for 2000-XX-1010, 19.080" ONLY