



# Design File

**Trilennium™  
3000 Series  
Three Point  
Lock System**

## Trilennium™ Features

### Highest Security Available

- Impact Performance Exceeds ASTM Grade 40.
- Design Pressure Tested to Exceed D.P. 95.
- 3 Points Latch & Deadbolt (1" throw).
- Hardened Steel Pins in each Deadbolt.
- Strike Reinforcing Plates.

### User Friendly

- Intuitive North American Function.
- Panic Actuation Releases all Bolts During Single Downward Lever Rotation.
- 90° Thumbturn Rotation Provides Visual Locked/Unlocked Indication.
- Rollers Reduce Operating Forces.
- 3/16" Pull-in at Top & Bottom Bolts During Deadbolting Ensures Weatherseal.
- 3/8" Vertical Clearance in Strikes.
- Flush Faceplate with no Connectors projecting into the reveal.
- Large Fabrication & Installation Tolerances.

### System Construction

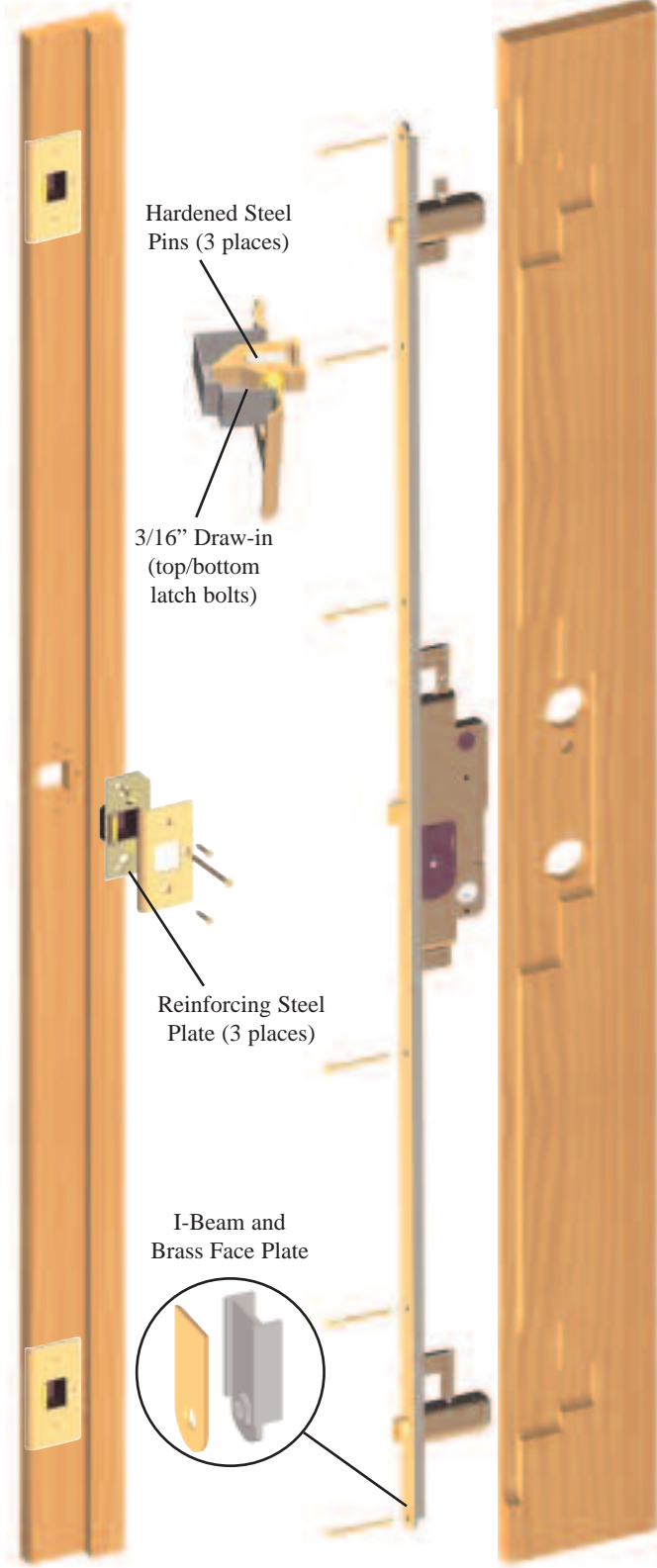
- "I" Beam System Carrier Strengthens Door.
- Solid Brass Prefinished Face Plate.
- Solid Brass Prefinished Strike Plates.
- Solid Brass Bolts with a Low Friction Wear Face.
- Powder Painted Metal Lock Housings.
- Roller Components for Longer Life & Reduced Operating Forces
- Molded Strike Dust Boxes.

### Fabrication

- Standard Crossbores.
- Simple Router Fabrication or
- Automatic Equipment Fabrication.

### Application

- 1 Piece Lock Module with 6 mounting screws.
- Non-Handed Trim with standard Weiser keyway, Schlage "C" keyways are optional.
- 1 3/4" Stile thickness standard, thicker stiles optional.
- Dummy Trim available for French Door applications.



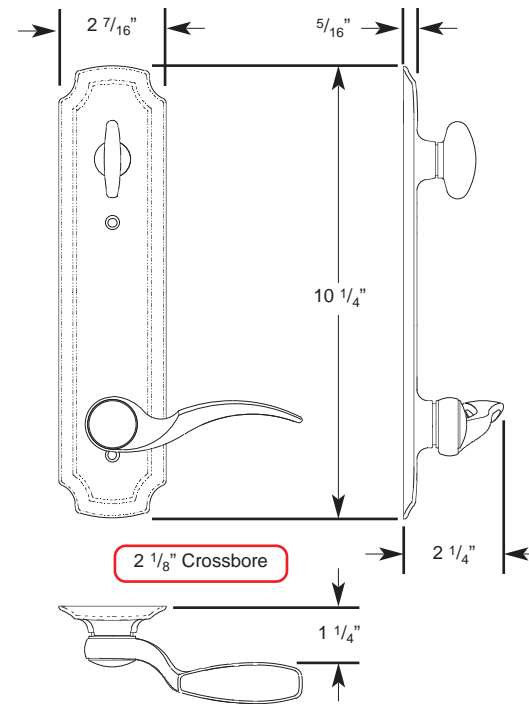
Jamb

Active Stile Section

Copyright © 4/2007

## Eclipse

1200-125-XXXX



Example: 1200-125-XXXX  
Fill in Dash # From Below

### Standard Finishes

	Active	Dummy
US#3 Bright Brass	-1000	-1008
US#5 Antique Brass	-1001	-1009
US#15 Satin Nickel	-1056	-1058
US#15A Antique Nickel	-1050	-1052
US#26 Bright Chrome	-1062	-1064
US#26D Satin Chrome	-1002	-1010
WF#10P Victorian Bronze	-1083	-1085
WF#46 White Powder Paint	-1059	-1061
PVD "Lifetime" Solid Brass	-1001	-1005

(1200-130 & 1200-132 Series ONLY)

Ask for the exclusive W & F Solid Bronze Hardware catalog.  
5 Escutcheon Styles (up to 21")  
32 Lever Options  
7 Different Patinas

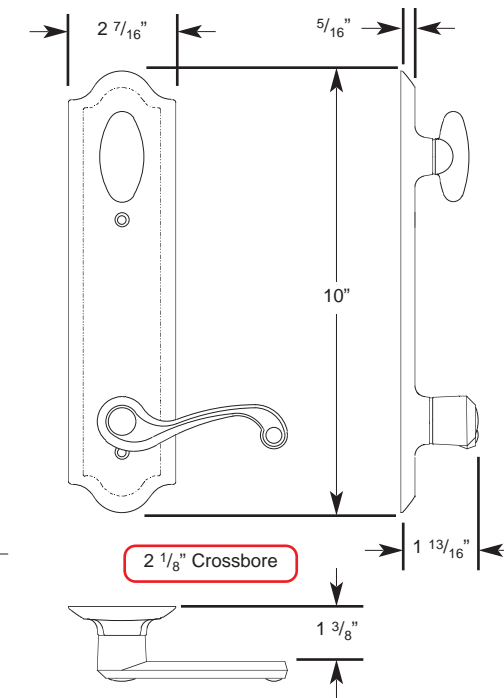
### When ordering, please specify:

- Handle set style from above.
  - Stile thickness (1 3/4" standard).
  - Left or Right hand (inswing).
- (Order the opposite hand for outswing. Note: You must reverse the panic feature for outswing.)



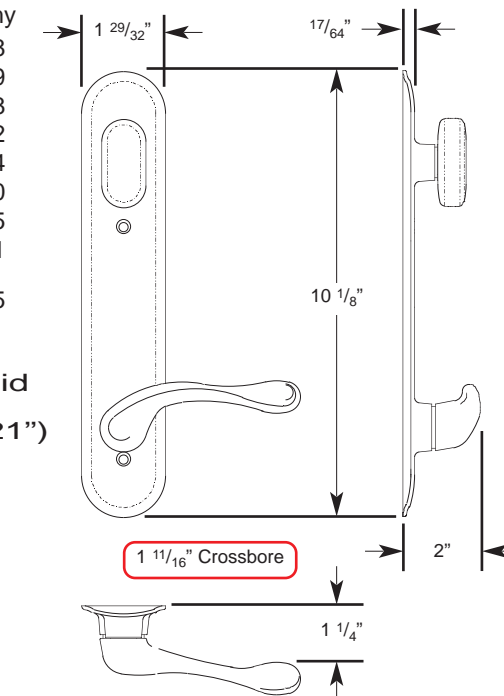
## Pinnacle

1200-135-XXXX



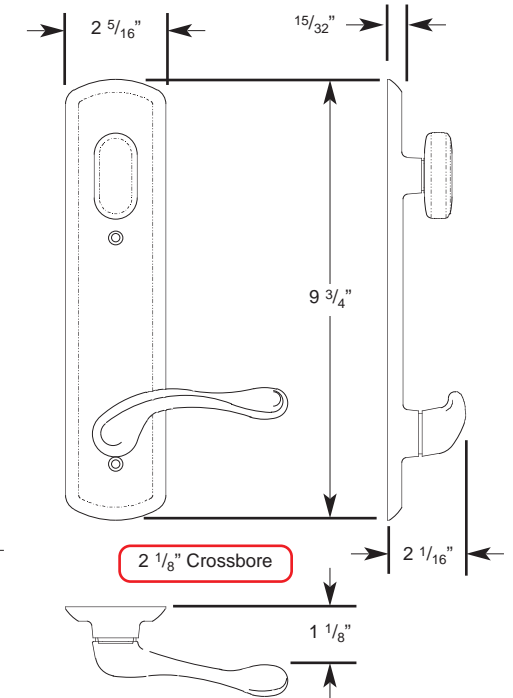
## Horizon

1200-128-XXXX



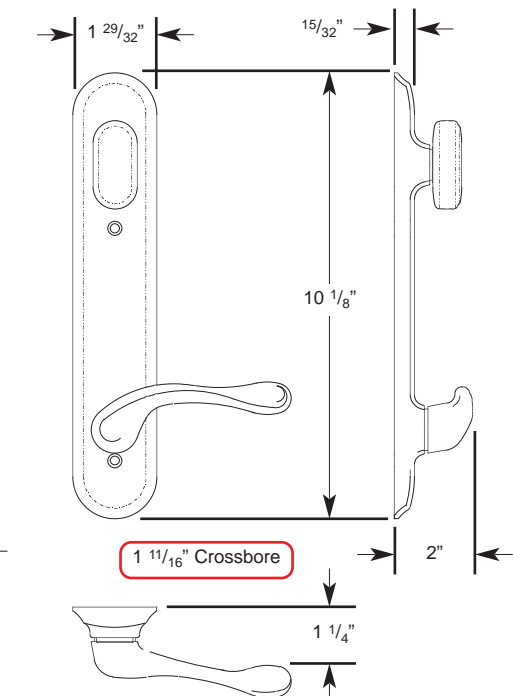
## Contempo

1200-132-XXXX (Solid Brass)



## Europa

1200-130-XXXX (Solid Brass)



Note: You can use the opposite hand and reverse the panic feature on the Trilennium mortise lock for an outswing door. (for RH Rev., use Left Hand)



W & F Manufacturing, Inc.

P.O. Box 30 Glendale, CA 91209 Ph: 818/394-6060 fax: 818-394-6050  
web: www.wfmfg.com eMail: sales@wfmfg.com

# TEMPLATE SYSTEMS FOR ROUTER FABRICATION



3000-999-100  
W & F Aluminum Stile Template System  
consisting of: Template Rails, Bridges & Stops  
Router Carrier  
1 3/16" Dia. X 5" Router Bit

Fabricates for both 6 8" and 8" Trilennium™ locks and 9" and 19" Magnum Bolt™. Easy adjustment to fit 1 3/4" thru 2 1/4" stile thickness. 2 1/8" cross-bore hole saw guides standard, 1 11/16" optional.  
Note: Requires Porter Cable #7538 or #7539 Router and 1" Dia. router bit. (No template guides required.)



3000-999-103  
Templaco Jamb Template System  
consisting of: Jamb Template, Right  
Jamb Template, Left  
Dust Box Through-Hole

Note: Requires Router with 1/2" Dia. router bit w/ 5/8" OD template guide.

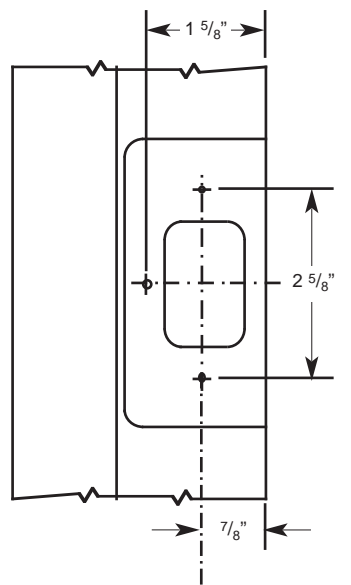
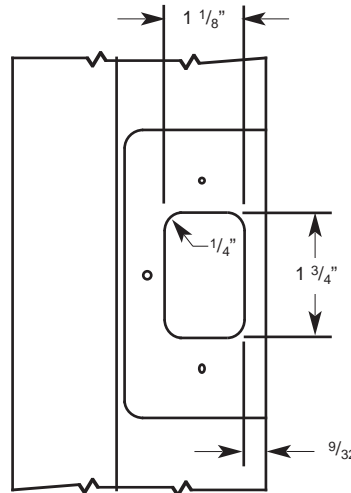
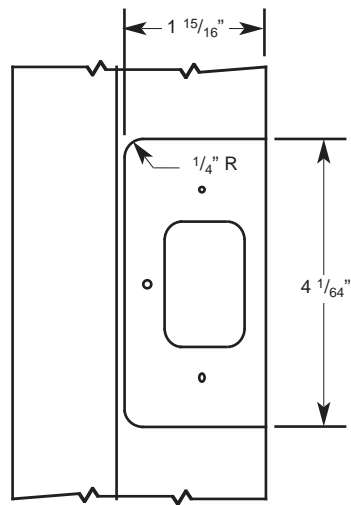


3000-999-8 Norfield Strike Template  
consisting of: (1) Aluminum strike template  
Note: Requires Norfield 250M Strike Machine or similar

## Suggested Equipment:

- Safety Glasses
- Porter Cable #7538 Single Speed or #7539 Five Speed Router
- 1" Dia. Router Bit
- 1 3/16" Dia. X 5" Router Bit (supplied by W & F w/ Templates)
- 1/2" Dia. Router Bit
- 5/8" OD Template Guide
- Drill Motor (1/2" chuck)
- 2 1/8" or 1 11/16" Dia. Hole Saw
- 1/2" Dia. Drill Bit
- #9 VIX Bit
- Philips Screwdriver (w/ torque limitation)

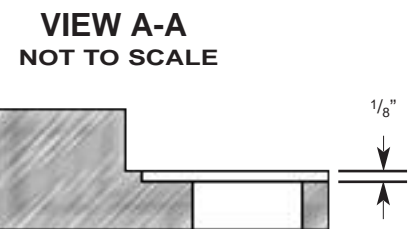
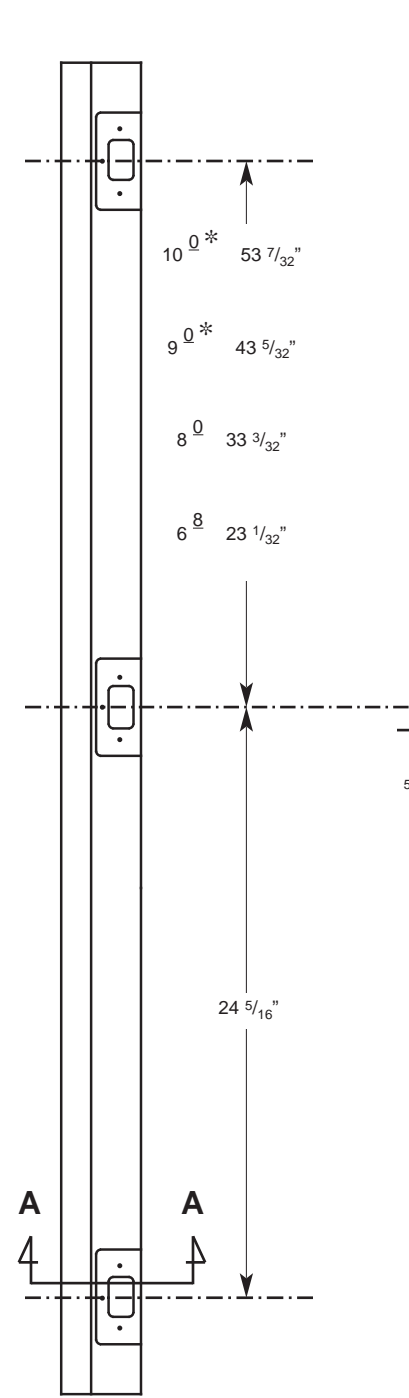
## JAMB DETAILS



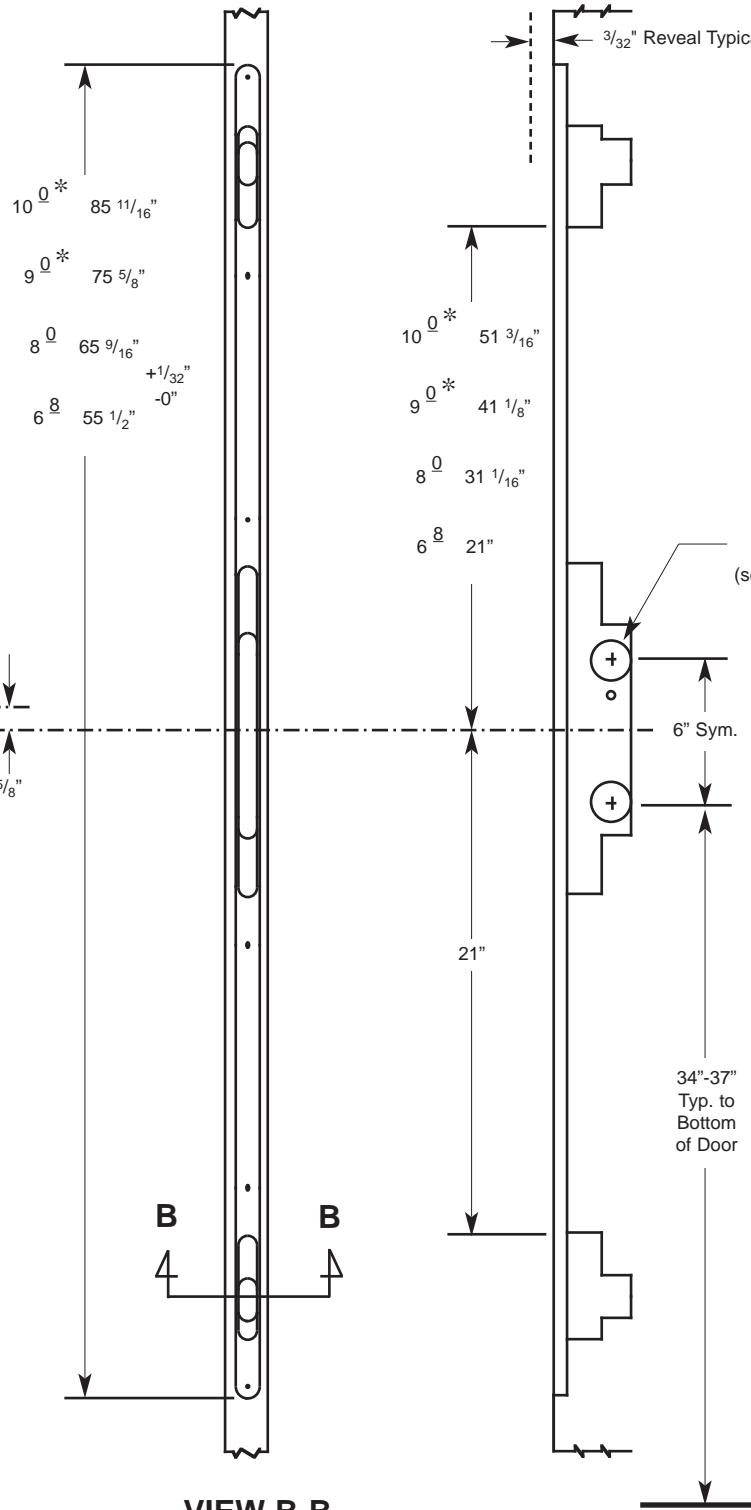
Note: C/L of strike mounting screws to match C/L of Lock.

All dimensions shown are for a 1 3/4" door. Shift accordingly for 2 1/4" or other door thickness.

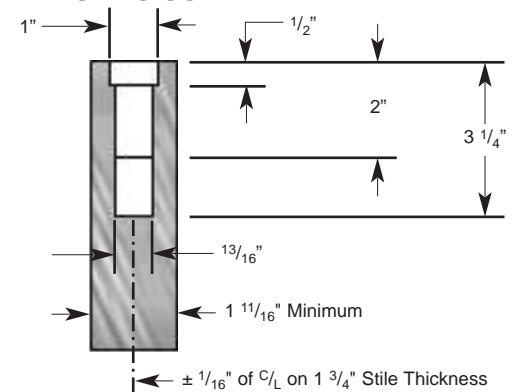
## JAMB FABRICATION



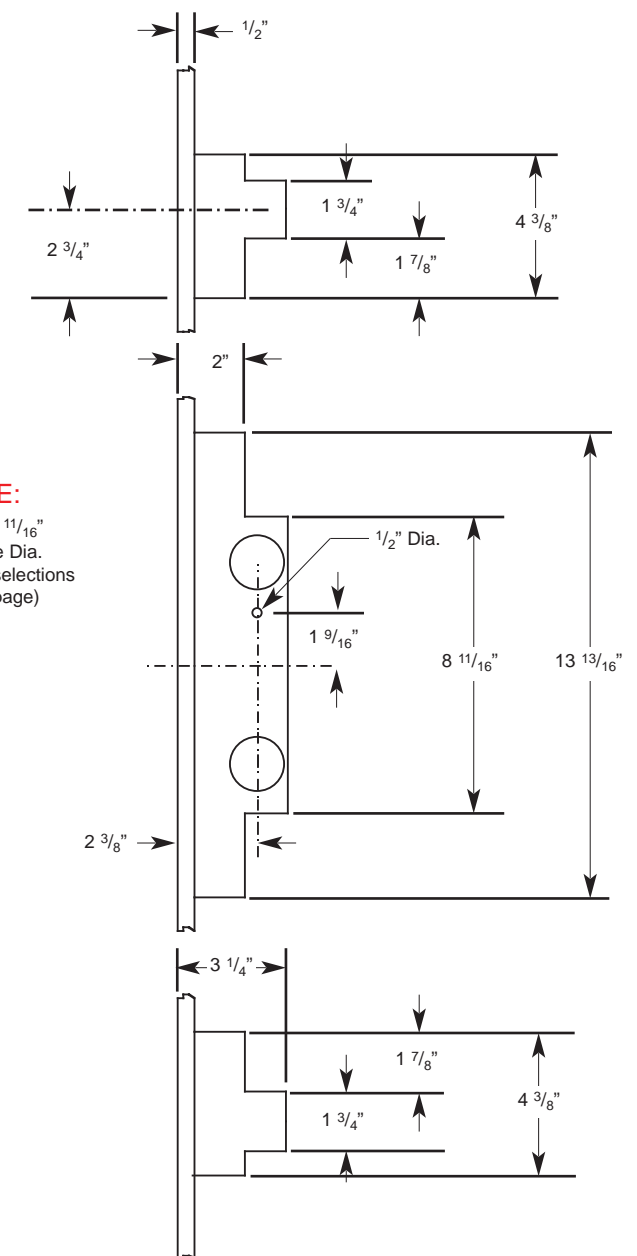
## STILE FABRICATION



### VIEW B-B NOT TO SCALE



## STILE DETAILS



NOTE:  
2 1/8" or 1 11/16" Crossbore Dia. (see Handle selections on back page)

Standard Heights

6 8" and 8 0"	3000-1-XXXX
9 0"	3000-2-XXXX
10 0"	3000-3-XXXX

Fill in Dash # From Below

### Standard Finishes

- US#3 Bright Brass
- US#5 Antique Brass
- US#15 Satin Nickel
- US#15A Antique Nickel
- US#26 Bright Chrome
- US#26D Satin Chrome
- US#32D Stainless Steel
- WF#10P Victorian Bronze
- WF#46 White Powder Paint

	6 8" 9 0" and 10 0"		8 0"	
	Right	Left	Right	Left
-1000	-1001	-1010	-1011	
-1022	-1023	-1032	-1033	
-1020	-1021	-1030	-1031	
-1004	-1005	-1014	-1015	
-1024	-1025	-1034	-1035	
-1008	-1009	-1018	-1019	
-1060	-1061	-1070	-1071	
-1048	-1049	-1058	-1059	
-1002	-1003	-1012	-1013	

\* Special Heights Available